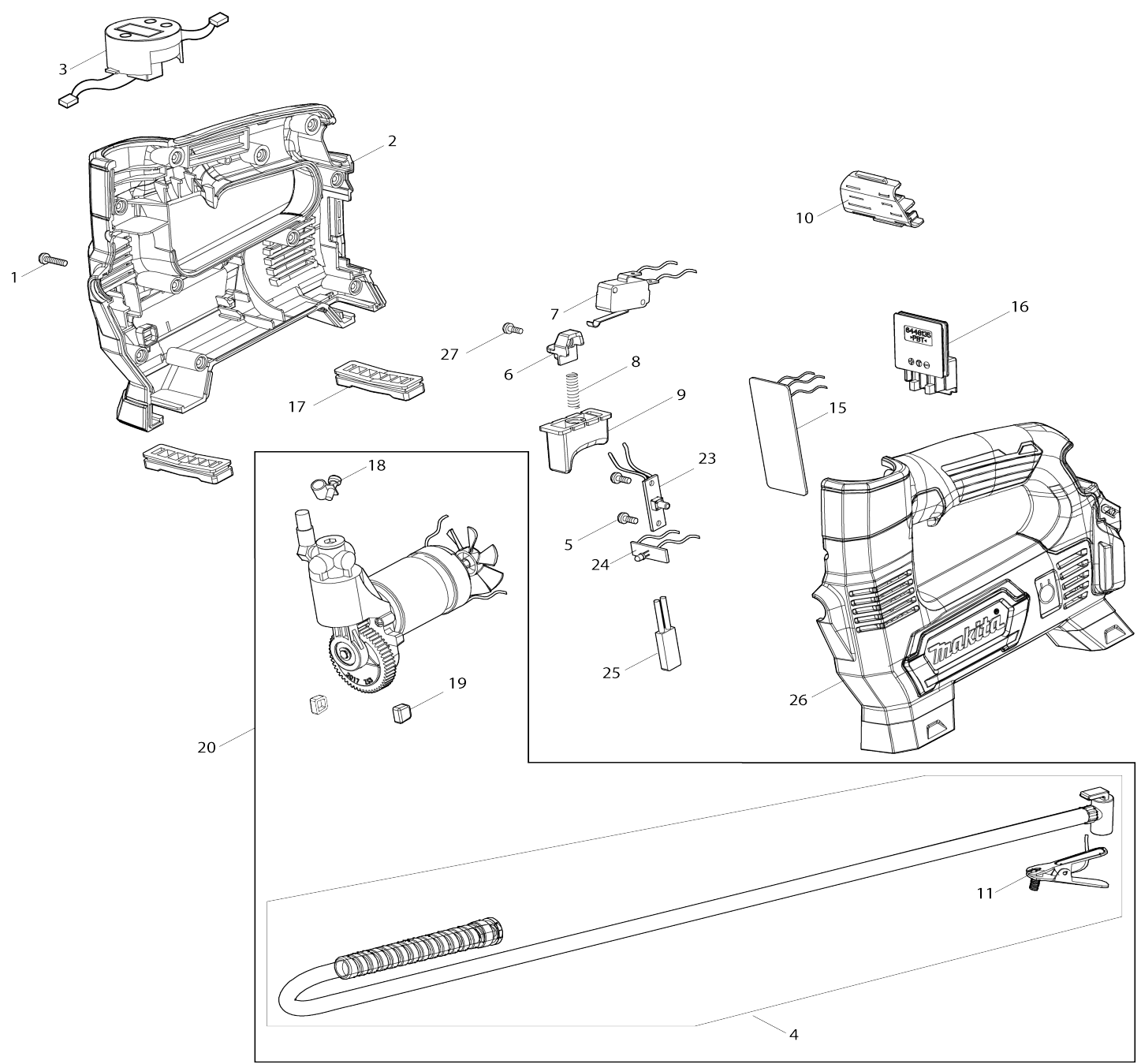


# Model No.MP100D CORDLESS INFLATOR



# Model No.MP100D CORDLESS INFLACTOR

Item No.	Parts No.	Description	Interchangability	Q'ty	New/Old	Sales Price (USD)	Purchase Price(USD)	Note1	Note2
001	TE00000324	SCREW 3*14		10					
002	TE00000351	HOUSING SET		1	*				
002		INC. 26			*				
002-1	TE00000484	HOUSING SET	O	1					
002-1		INC. 26							
003	TE00000326	DIGITAL DISPLAY		1	*				
003-1	TE00000629	DIGITAL DISPLAY	O	1					
004	TE00000345	AIR PIPE ASSEMBLY(6MM)		1					
004		INC. 11							
004A_	TE00000638	AIR PIPE ASSEMBLY(8MM)		1					
004A_		INC. 11							
005	TE00000327	SCREW 3*10		2					
006	TE00000328	TRIGGER SPRING-FIXED BLOCK		1					
007	TE00000329	SWITCH		1	*				
007-1	TE00000485	SWITCH TRIGGER	O	1	*				
007-2	TE00000329	SWITCH	X	1					
008	TE00000330	SPRING		1					
009	TE00000331	SWITCH TRIGGER		1	*				
009-1	TE00000485	SWITCH TRIGGER	O	1					
010	TE00000332	FIXED BRACKET		1					
011	TE00000346	BRITISH ADAPTER		1	*				
011-1	TE00000597	BRITISH ADAPTER	<	1					
012	TE00000333	SWIM RING ADAPTER		1	*				
013	TE00000334	FRENCH ADAPTER		1	*				
014	TE00000335	BALL ADAPTER		1	*				
015	TE00000336	PCB		1					
016	TE00000337	BATTERY TERMINAL		1					
017	TE00000338	MAT		2					
018	TE00000352	CLAMP		1					
019	TE00000339	RUBBER(CYLINDER)		1					
020	TE00000340	MOTOR ASSEMBLY		1	*				
020		INC. 4,18,19			*				
020-1	TE00000478	MOTOR ASSEMBLY	>	1	*				
020-1		INC. 28			*				
020-2	TE00000640	MOTOR ASSEMBLY	X	1					
020-2		INC. 4,28							
023	TE00000341	POWER ON/OFF		1	*				
023-1	TE00000835	POWER ON/OFF	O	1					
024	TE00000342	LED PCB		1	*				
024-1	TE00000836	LED PCB	O	1					
025	TE00000343	TERMINAL PROTECTOR		1					
026	TE00000351	HOUSING SET		1	*				
026		INC. 2			*				
026-1	TE00000484	HOUSING SET	O	1					
026-1		INC. 2							
027	TE00000327	SCREW 3*10		1					
028	TE00000477	CONNECTING WIRE		1					

A01	TE00000333	SWIM RING ADAPTER		1					
A02	TE00000334	FRENCH ADAPTER		1	*				
A02-1	TE00000594	FRENCH ADAPTER	<	1					
A03	TE00000335	BALL ADAPTER		1	*				
A03-1	TE00000592	BALL ADAPTER	<	1					

Please state Parts No. when your order.

Print Date 01/10/2025