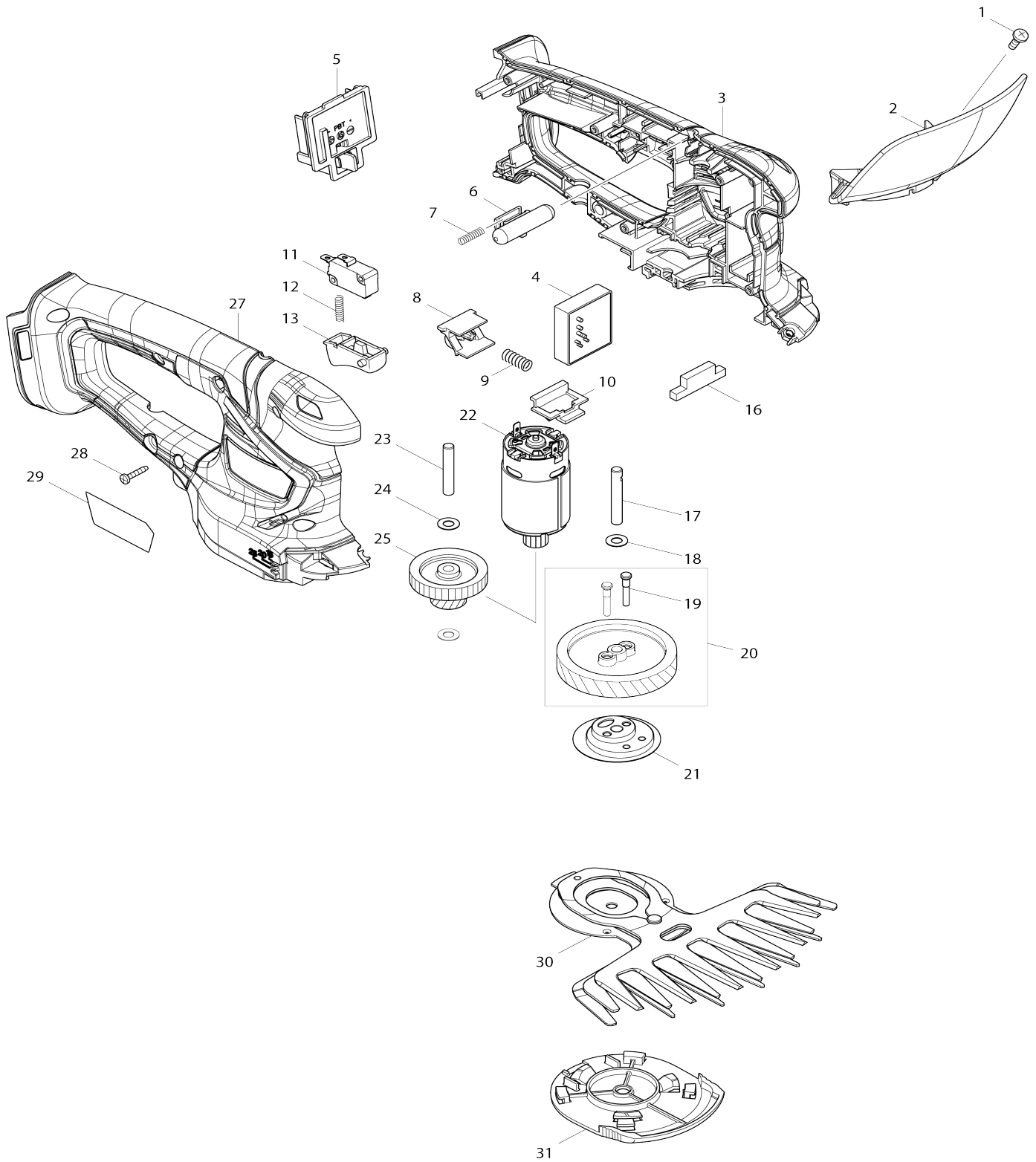


Model No.DUM604 160MM CORDLESS GRASS SHEAR



Model No.DUM604 160MM CORDLESS GRASS SHEAR

Item No.	Parts No.	Description	Interchangability	Q'ty	New/Old	Sales Price (USD)	Purchase Price(USD)	Note1	Note2
001	915116-7	BINDING HEAD SCREW M4X12		1					
002	144342-3	PROTECTOR COMPLETE		1	*				
C10	819948-3	CAUTION LABEL		1	*				
002-1	140V97-0	PROTECTOR COMPLETE	<	1	*				
C10	819948-3	CAUTION LABEL		1	*				
C11	819948-3	CAUTION LABEL	<	1	*				
002-2	1410D3-4	PROTECTOR COMPLETE	O	1					
C12	8072W3-6	CAUTION LABEL	O	1					
003	183G03-2	HOUSING SET		1	*				
C10	931102-0	HEX. NUT M4		1	*				
C20	263005-3	RUBBER PIN 6		2	*				
C30	346275-0	PLATE		2	*				
003		INC. 27			*				
003-1	183U53-1	HOUSING SET	S	1					
C10	931102-0	HEX. NUT M4		1					
C20	263005-3	RUBBER PIN 6		2					
C30	346275-0	PLATE		2					
003-1		INC. 27							
004	620647-0	CONTROLLER		1	*				
004-1	620E35-1	CONTROLLER	<	1					
005	643852-2	TERMINAL		1					
006	452438-9	LOCK OFF BUTTON		1	*				
006-1	413A16-6	LOCK OFF BUTTON	S	1					
007	231473-8	COMPRESSION SPRING 4		1					
008	457534-8	SLIDE PLATE		1					
009	234339-1	COMPRESSION SPRING 6		1					
010	454879-5	LOCK LEVER		1					
011	650744-8	SWITCH D3V-16-3C26		1					
012	231473-8	COMPRESSION SPRING 4		1					
013	417564-1	SWITCH LEVER		1					
016	451814-4	DUST GUARD		1					
017	268254-7	PIN 6		1					
018	253715-0	FLAT WASHER 6		1					
019	268256-3	PIN 4		2					
020	135883-0	HELICAL GEAR 47 ASS'Y		1					
020		INC. 19							
021	161598-3	CRANK COMPLETE		1					
022	629943-3	DC MOTOR		1					
023	268076-5	PIN 6		1					
024	253715-0	FLAT WASHER 6		2					
025	226831-1	GEAR 12-31		1					
027	183G03-2	HOUSING SET		1	*				
C10	931102-0	HEX. NUT M4		1	*				
C20	263005-3	RUBBER PIN 6		2	*				
C30	346275-0	PLATE		2	*				
027		INC. 3			*				
027-1	183U53-1	HOUSING SET	S	1					

C10	931102-0	HEX. NUT M4		1				
C20	263005-3	RUBBER PIN 6		2				
C30	346275-0	PLATE		2				
027-1		INC. 3						
028	266429-2	TAPPING SCREW 3X16		6				
029	853A12-6	DUM604 NAME PLATE		1				
030	195176-7	SHEAR BLADE ASSEMBLY SET		1	*			
C10	188369-3	OIL VESSEL SET		1	*			
030-1	195267-4	SHEAR BLADE ASSEMBLY SET	<	1	*			
C10	188369-3	OIL VESSEL SET		1	*			
030-2	195267-4	SHEAR BLADE ASSEMBLY SET	O	1				
C10	188369-3	OIL VESSEL SET		1				
031	140451-6	UNDER COVER COMPLETE		1				
A01	452055-5	BLADE COVER		1				
A02	457426-1	GRASS RECEIVER 160		1				
A06	450128-8	BATTERY COVER		2				
A07	***DC18RC	DC18RC FAST CHARGER		1				
A07		COMPO-PARTS						
A08B	197600-6	BATTERY BL1830B SET		1	*			
A08-1 B	199283-8	BATTERY BL1830B SET	<	1	*			
A08-1 C	199283-8	BATTERY BL1830B SET		2	*			
A08-2	199283-8	BATTERY BL1830B SET	<	2				
F02-1	195267-4	SHEAR BLADE ASSEMBLY SET	O	1				

Please state Parts No. when your order.

Print Date 02/10/2025