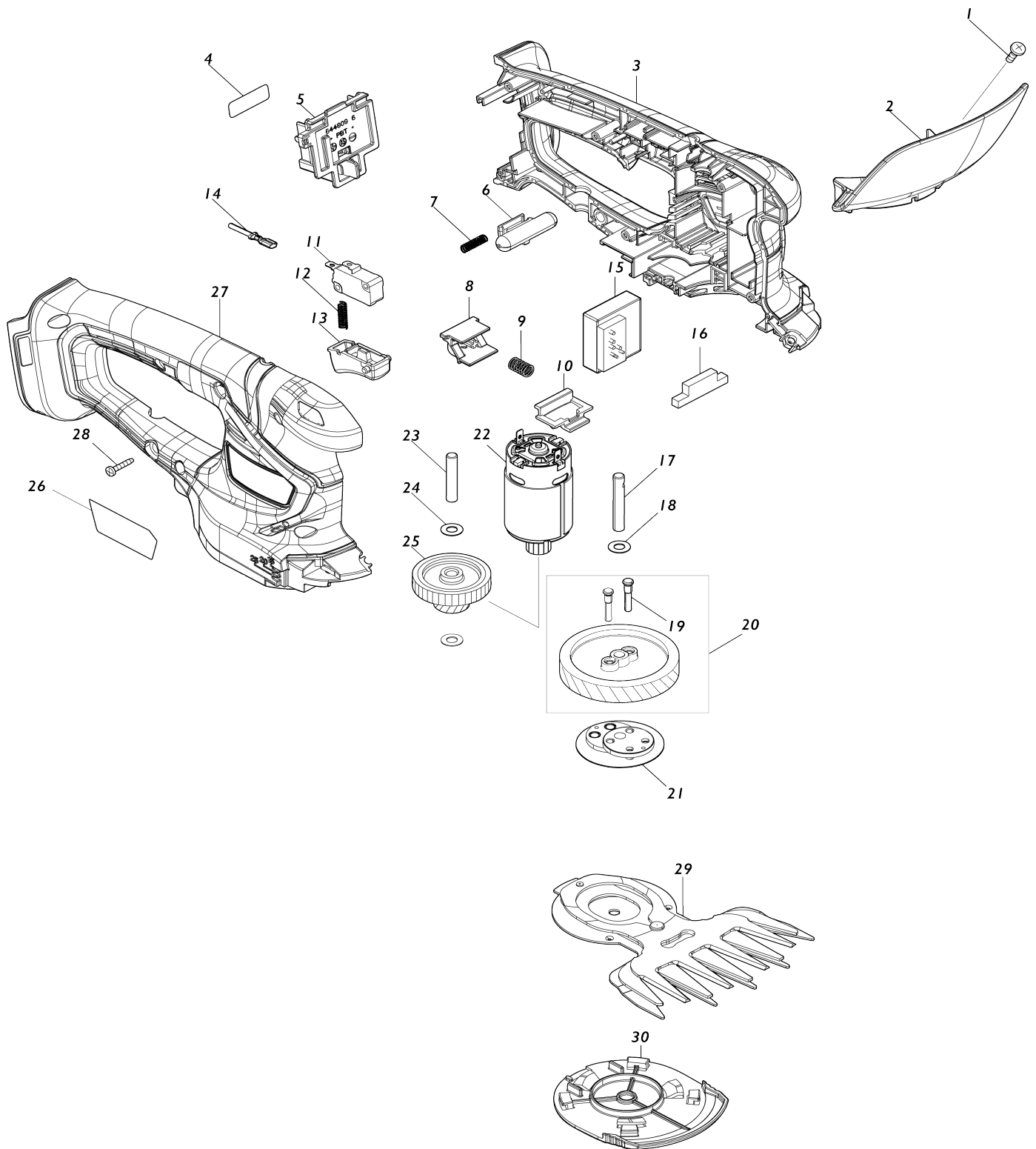


Model No.DUM111 110MM CORDLESS GRASS SHEAR



Model No.DUM111 110MM CORDLESS GRASS SHEAR

Item No.	Parts No.	Description	Interchangability	Q'ty	New/Old	Sales Price (USD)	Purchase Price(USD)	Note1	Note2
001	915116-7	BINDING HEAD SCREW M4X12		1					
002A	141C31-9	PROTECTOR COMPLETE		1	*				
C10	8030K3-8	CAUTION LABEL		1	*				
002-1 A	140V97-0	PROTECTOR COMPLETE	<	1	*				
C10	819948-3	CAUTION LABEL		1	*				
C11	819948-3	CAUTION LABEL	<	1	*				
002-1 B	140V97-0	PROTECTOR COMPLETE		1	*				
C10	819948-3	CAUTION LABEL		1	*				
C11	819948-3	CAUTION LABEL	<	1	*				
002-2	1410D3-4	PROTECTOR COMPLETE	O	1					
C12	8072W3-6	CAUTION LABEL	O	1					
003A	183G03-2	HOUSING SET		1	*				
C10	931102-0	HEX. NUT M4		1	*				
C20	346275-0	PLATE		2	*				
C30	263005-3	RUBBER PIN 6		2	*				
003A		INC. 27			*				
003-1 A	183U53-1	HOUSING SET	S	1					
C10	931102-0	HEX. NUT M4		1					
C20	346275-0	PLATE		2					
C30	263005-3	RUBBER PIN 6		2					
003-1 A		INC. 27							
003-1 B	183U53-1	HOUSING SET		1					
C10	931102-0	HEX. NUT M4		1					
C20	346275-0	PLATE		2					
C30	263005-3	RUBBER PIN 6		2					
003-1 B		INC. 27							
004	811957-8	DUM111 SERIAL NO. LABEL		1					
005A	644809-6	TERMINAL		1	*				
005-1 A	643852-2	TERMINAL	<	1					
005-1 B	643852-2	TERMINAL		1					
006A	452438-9	LOCK OFF BUTTON		1	*				
006-1 A	413A16-6	LOCK OFF BUTTON	S	1					
006-1 B	413A16-6	LOCK OFF BUTTON		1					
007	231473-8	COMPRESSION SPRING 4		1					
008	457534-8	SLIDE PLATE		1					
009	234339-1	COMPRESSION SPRING 6		1					
010	454879-5	LOCK LEVER		1					
011	650744-8	SWITCH D3V-16-3C26		1					
012	231473-8	COMPRESSION SPRING 4		1					
013	417564-1	SWITCH LEVER		1					

014	632S19-1	LEAD UNIT		1				
015	620E35-1	CONTROLLER		1				
016	451814-4	DUST GUARD		1				
017	268254-7	PIN 6		1				
018	253715-0	FLAT WASHER 6		1				
019	268256-3	PIN 4		2				
020	135883-0	HELICAL GEAR 47 ASS'Y		1				
020		INC. 19						
021	161598-3	CRANK COMPLETE		1				
022	629943-3	DC MOTOR		1				
023	268076-5	PIN 6		1				
024	253715-0	FLAT WASHER 6		2				
025	226831-1	GEAR 12-31		1				
026	811949-7	DUM111 NAME PLATE		1				
027A	183G03-2	HOUSING SET		1	*			
C10	931102-0	HEX. NUT M4		1	*			
C20	346275-0	PLATE		2	*			
C30	263005-3	RUBBER PIN 6		2	*			
027A		INC. 3			*			
027-1 A	183U53-1	HOUSING SET	S	1				
C10	931102-0	HEX. NUT M4		1				
C20	346275-0	PLATE		2				
C30	263005-3	RUBBER PIN 6		2				
027-1 A		INC. 3						
027-1 B	183U53-1	HOUSING SET		1				
C10	931102-0	HEX. NUT M4		1				
C20	346275-0	PLATE		2				
C30	263005-3	RUBBER PIN 6		2				
027-1 B		INC. 3						
028	266429-2	TAPPING SCREW 3X16		6				
029	191N23-4	SHEAR BLADE ASSEMBLY 110 SE T		1				
C10	188369-3	OIL VESSEL SET		1				
030	140451-6	UNDER COVER COMPLETE		1				
A01	191N24-2	SHEAR BLADE ASSEMBLY 200S S ET		1				
C10	188369-3	OIL VESSEL SET		1				
A02	413885-9	BLADE COVER 110		1				
A03	413429-5	STORAGE COVER		1				
A04	458342-0	BLADE COVER		1				
A05A	450128-8	BATTERY COVER		1				
A06A	***DC18SD	DC18SD BATTERY CHARGER		1	*			
A06A		COMPO-PARTS			*			
A06-1 A	***DC18SD	DC18SD BATTERY CHARGER	O	1				
A06-1 A		COMPO-PARTS						
A07A	199284-6	BATTERY BL1815N SET		1				
F01	191N23-4	SHEAR BLADE ASSEMBLY 110 SE T		1				

F02	191N24-2	SHEAR BLADE ASSEMBLY 200S S ET		1					
F03	191N25-0	GRASS RECEIVER 110 SET		1					
C10	454880-0	GRASS RECEIVER 110		1					
F04	195267-4	SHEAR BLADE ASSEMBLY SET		1					
F06	198401-5	CHIP RECEIVER SET		1					
F07	198408-1	SHEAR BLADE ASSEMBLY 200 S S ET		1					
F08	198412-0	GRASS RECEIVER 160 SET		1					
C10	457426-1	GRASS RECEIVER 160		1					

Please state Parts No. when your order.

Print Date 02/10/2025