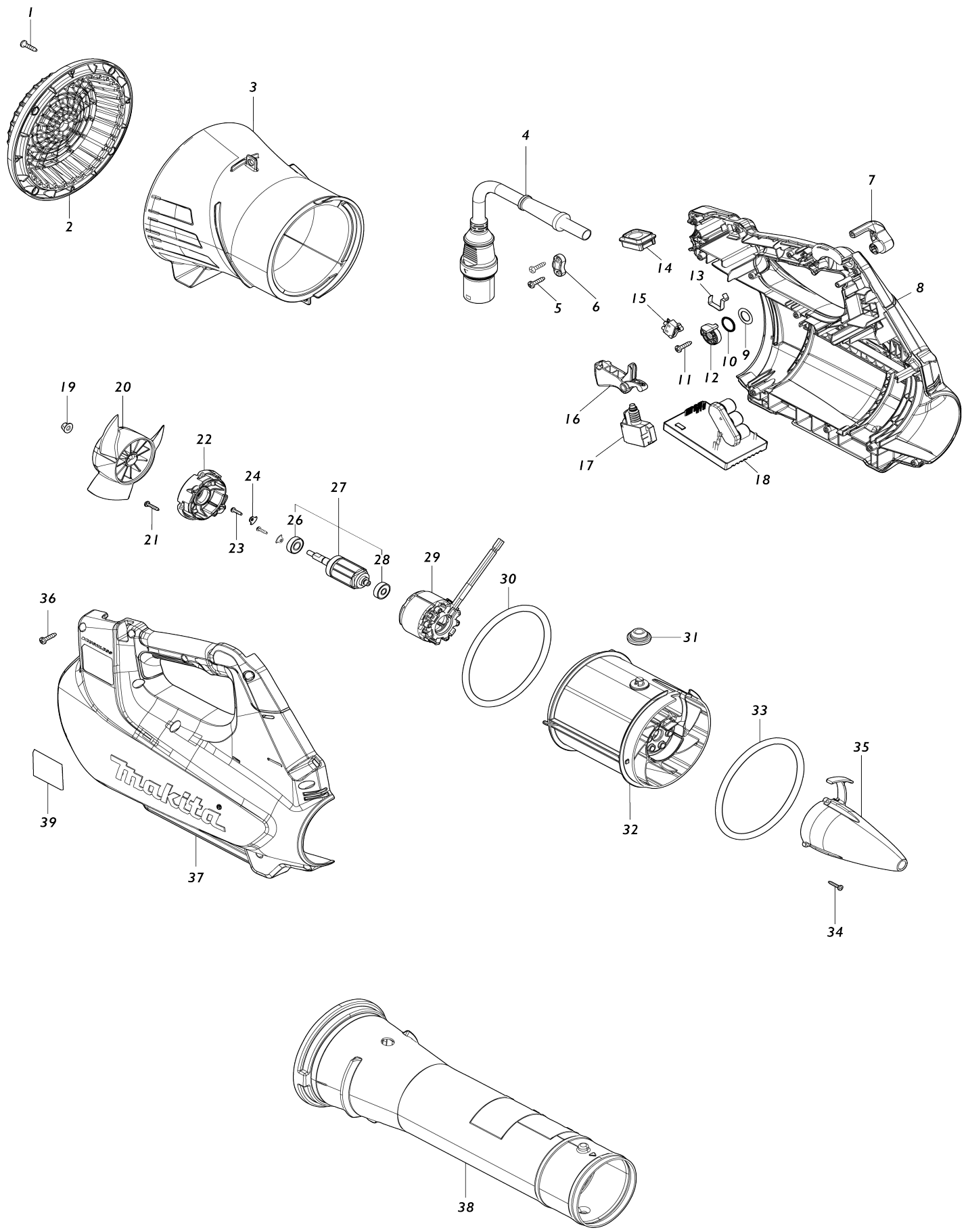


Model No.UB001C BATTERY POWERED BLOWER



| | | | | | | | | |
|-------|----------|------------------------|---|---|---|--|--|--|
| 040 | 422734-9 | SPONGE | | 1 | | | | |
| 041 | 620K74-7 | CONTROLLER B | S | 1 | | | | |
| 042 | 638A36-1 | LEAD UNIT | S | 1 | | | | |
| 043 | 652119-7 | PAN HEAD SCREW M2X6 | S | 6 | | | | |
| A01 | 191L94-9 | BAND ASSEMBLY SET | | 1 | * | | | |
| A01-1 | 191J48-4 | BAND ASSEMBLY SET | O | 1 | | | | |
| A02 | 412758-3 | END NOZZLE 80 | | 1 | * | | | |
| A02-1 | 191P97-7 | END NOZZLE 80 SET | O | 1 | | | | |
| F01 | 191B03-8 | GUTTER NOZZLE SET | | 1 | | | | |
| C10 | 162790-4 | END NOZZLE COMPLETE | | 1 | | | | |
| C20 | 281030-2 | HOSE CLAMP 75-90 | | 2 | | | | |
| C30 | 281031-0 | HOSE CLAMP 85-100 | | 1 | | | | |
| C40 | 459816-4 | EXTENSION PIPE 72 | | 3 | | | | |
| F03 | 191L96-5 | ADAPTER PIPE 85-72 SET | | 1 | | | | |
| F04 | 197889-6 | FLAT NOZZLE SET | | 1 | | | | |

Please state Parts No. when your order.

Print Date 08/28/2024