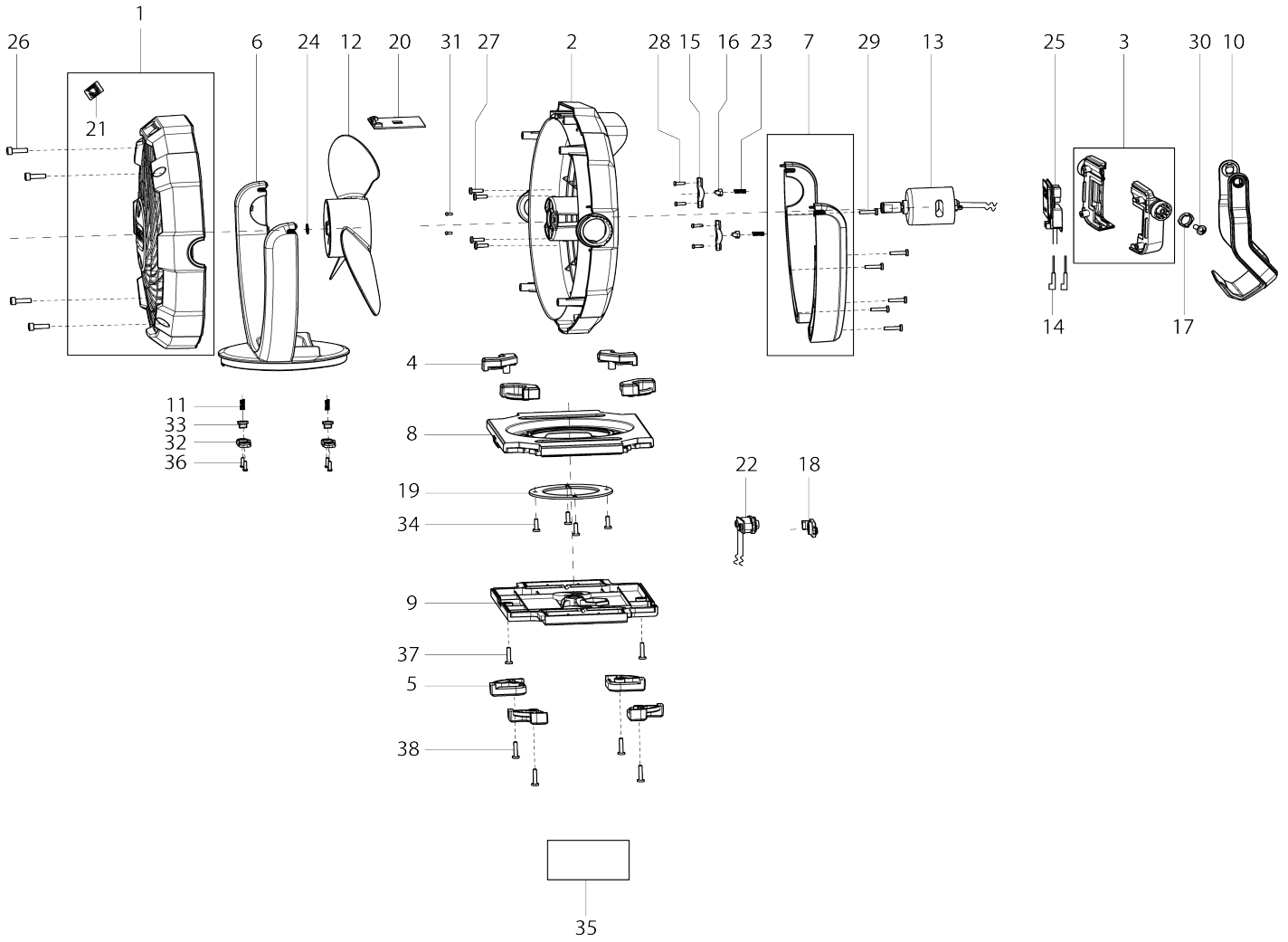


Model No.CF100D CORDLESS FAN



Model No.CF100D CORDLESS FAN

ទំនិញលេខ	ផ្ទេរកូដ	កំរិតពណ៌នា	ភ័ព្វអំពីផលិតប្រភេទ	ចំនួន	ថ្លៃ/ថ្លៃ	តម្លៃលើក (USD)	តម្លៃទូទៅ (USD)	ចំណាត់	ចំណាត់
001	TE00000177	FRONT COVER		1					
001		INC. 21							
002	TE00000178	BACK COVER		1					
003	TE00000179	THE BATTERY HOUSING		1					
004	TE00000180	UP INSERT OF BOTTOM		4					
005	TE00000180	UP INSERT OF BOTTOM		4					
006	TE00000181	FRONT COVER OF THE STAND		1					
007	TE00000182	BACK COVER OF THE SUPPORT		1					
008	TE00000183	UP COVER OF THE BASE		1					
009	TE00000184	LOWER COVER OF THE BASE		1					
010	TE00000185	HOOK AND HANDLE		1					
011	TE00000197	SPRING1		2					
012	TE00000186	FAN BLADE		1	*				
012-1	TE00000698	FAN BLADE	O	1					
013	TE00000187	MOTOR AND LEAD		1					
014	TE00000188	LEAD WITH INSERTING PIECE		2					
015	TE00000189	STOPPER SUPPORT		2	*				
015.1	TE00000189	STOPPER SUPPORT	O	2					
016	TE00000190	STOPPER		2	*				
016.1	TE00000190	STOPPER	O	2					
017	TE00000191	STOPPER FOR HOOK AND HANDLE		2	*				
017-1	TE00000191	STOPPER FOR HOOK AND HANDLE	O	2					
018	TE00000192	CHARGING SOCKET PLUG		1					
019	TE00000193	WASHER 48		1	*				
019.1	TE00000193	WASHER 48	O	1					
020	TE00000194	PCB		1					
021	TE00000195	SWITCH LABEL		1					
022	TE00000196	PCB DC JACK ASS'Y		1	*				
022.1	TE00000196	PCB DC JACK ASS'Y	O	1					
023	TE00000198	SPRING2		2					
024	TE00000199	CIRCLIP		1					
025	644813.5	ដុំម៉ាស៊ីន		1	*				
025.1	TE00000337	BATTERY TERMINAL	O	1					
026	TE00000201	HEX TAPPING SCREW 4X14		4	*				
026.1	TE00000201	HEX TAPPING SCREW 4X14	O	4					
027	TE00000202	SCREW 3X10		4					
028	TE00000203	SELF-TAPPING SCREW 2,5X8		4					
029	TE00000204	SCREW 3X14		6					
030	TE00000205	CROSS BELT PAD SCREWS 4X10		2					
031	TE00000206	P.H. SCREW M3X5		2					
032	TE00000189	STOPPER SUPPORT		2	*				
032.1	TE00000189	STOPPER SUPPORT	O	2					
033	TE00000190	STOPPER		2	*				
033.1	TE00000190	STOPPER	O	2					
034	TE00000202	SCREW 3X10		4					

036	TE00000203	SELF-TAPPING SCREW 2,5X8		4					
037	TE00000204	SCREW 3X14		2					
038	TE00000204	SCREW 3X14		4					
039	TE00000209	ADAPTER		1	*				
039.1	TE00000439	AC ADAPTER	○	1					

សូមបញ្ជាក់លេខផ្នែកនៅពេលបញ្ជាទិញ

បោះពុម្ពកាលបរិច្ឆេទ 12/30/2024