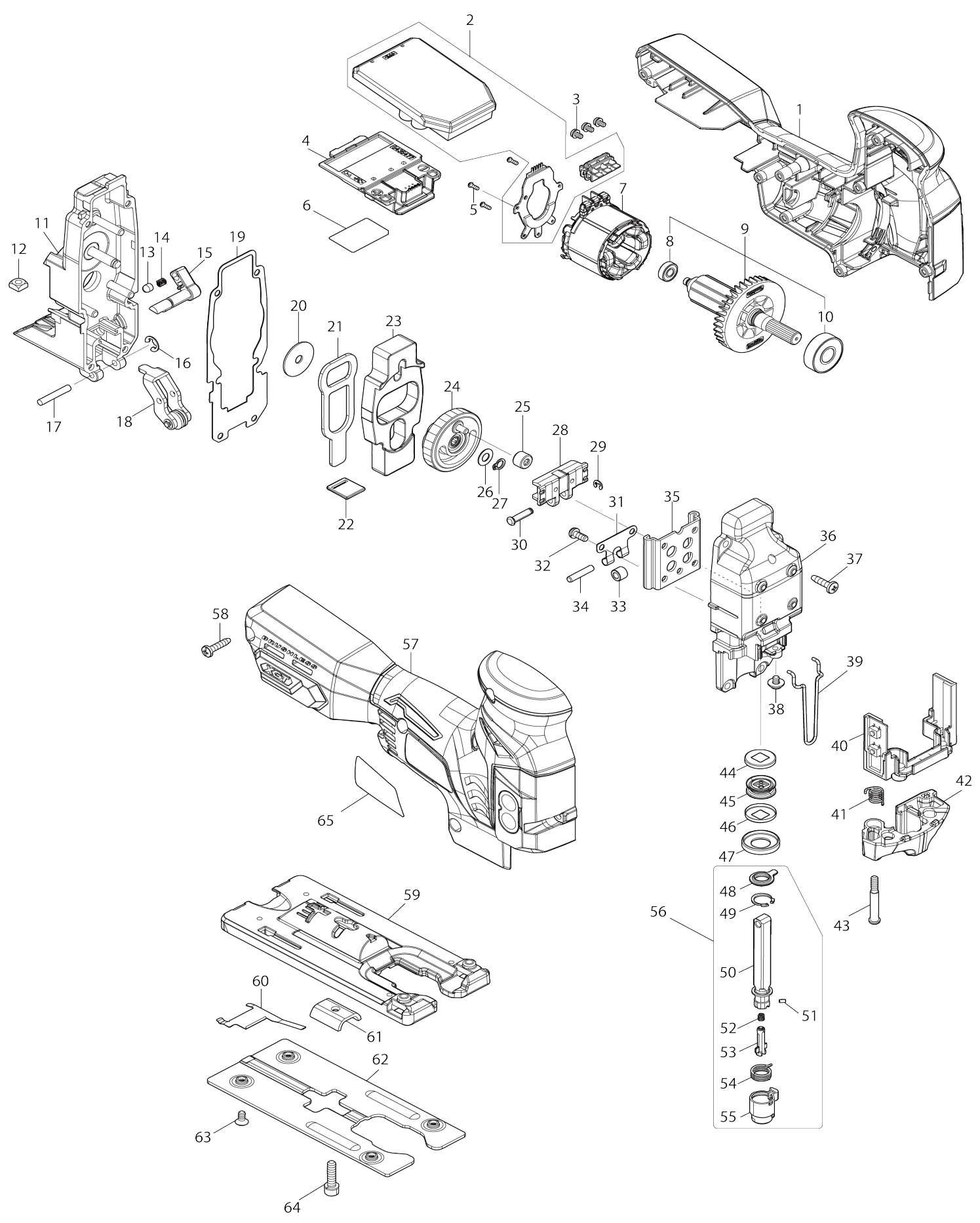


Model No. JV001G CORDLESS JIG SAW



Model No. JV001G CORDLESS JIG SAW

Item No.	Parts No.	Description	Interchangeability	Q'ty	New/Old	Sales Price (USD)	Purchase Price(USD)	Note1	Note2
001	183W95-7	HOUSING SET		1	*				
C10	263005-3	RUBBER PIN 6		2	*				
C20	8066F9-6	SWITCH LABEL		2	*				
001		INC. 57			*				
001-1	1831E5-7	HOUSING SET	<	1					
C10	263005-3	RUBBER PIN 6		2					
C20	8066F9-6	SWITCH LABEL		2					
001-1		INC. 57							
002	620J88-0	CONTROLLER		1	*				
002-1	620P44-6	CONTROLLER	<	1					
003	652069-6	FLAT HEAD SCREW M3X6		3					
004	632P65-6	TERMINAL UNIT		1					
005	266490-9	TAPPING SCREW PT 2X6		3					
006	858U20-2	JV001G SERIAL NO. LABEL		1					
007	629B64-3	STATOR		1					
008	210039-7	BALL BEARING 695DDW		1					
009	519769-0	ROTOR ASS'Y		1					
009		INC. 8,10							
010	210059-1	BALL BEARING 6000DDW		1					
011	142111-6	GEAR HOUSING COMPLETE		1					
C10	263002-9	RUBBER PIN 4		1					
012	252171-1	SQUARE NUT M5-8		1					
013	286032-3	CAP 5		1					
014	233139-6	COMPRESSION SPRING 3		1					
015	272280-0	LEVER 17		1					
016	961018-5	STOP RING E-5		1					
017	268063-4	PIN 4		1					
018	142110-8	RETAINER COMPLETE		1					
019	442195-7	GASKET		1					
020	253196-8	FLAT WASHER 6		1					
021	346688-5	PUSH PLATE		1					
022	454484-8	SEAL PLATE		1					
023	313260-8	BALANCE PLATE		1					
024	142109-3	GEAR COMPLETE		1					
025	212092-9	NEEDLE BEARING 407		1					
026	253715-0	FLAT WASHER 6		1					
027	961002-0	RETAINING RING S-6		1					
028	310837-0	SLIDER		1					
029	961017-7	STOP RING E-3		1					
030	268090-1	PIN 4		1					
031	232207-2	LEAF SPRING		1					
032	911111-5	PAN HEAD SCREW M4X10 WITH W		4					
033	214031-5	PLANE BEARING 4		1					
034	256117-9	PIN 4		1					
035	347B50-9	LINEAR GUIDE		1					
036	141R27-0	GEAR HOUSING COVER COMPLETE		1					

037	266034-5	TAPPING SCREW CT 4X16		4				
038	911104-2	PAN HEAD SCREW M4X6		1	*			
038-1	265132-2	+ PAN HEAD SCREW M4X5	O	1				
039	326302-9	SAFETY WIRE		1				
040	620J89-8	SWITCH UNIT		1				
041	231659-4	TORSION SPRING 6		1				
042	454483-0	TOOL OPENER		1				
043	265026-1	+ PAN HEAD SCREW M4		1				
044	267854-0	CAP WASHER 8		1				
045	421815-6	DUST SEAL 8		1				
046	267854-0	CAP WASHER 8		1				
047	257347-5	RING 21		1				
048	424569-4	DUST COVER		1				
049	962063-3	RETAINING RING R-13		1				
050	165724-6	ROD		1				
051	256528-8	PIN 2		1				
052	233314-4	COMPRESSION SPRING 4		1				
053	310485-5	LOCK PIN		1				
054	233591-8	TORSION SPRING 10		1				
055	310547-9	BLADE HOLDER		1				
056	135602-4	ROD ASS'Y		1				
056		INC. 48-55						
057	183W95-7	HOUSING SET		1	*			
C10	263005-3	RUBBER PIN 6		2	*			
C20	8066F9-6	SWITCH LABEL		2	*			
057		INC. 1			*			
057-1	1831E5-7	HOUSING SET	<	1				
C10	263005-3	RUBBER PIN 6		2				
C20	8066F9-6	SWITCH LABEL		2				
057-1		INC. 1						
058	265995-6	TAPPING SCREW 4X18		8				
059	312D19-4	BASE		1				
060	232208-0	LEAF SPRING		1				
061	345237-5	CRANK PLATE		1				
062	347A23-6	BASE PLATE		1				
063	265085-5	+ COUNTERSUNK HEAD SCREW M4X8		4				
064	922231-0	HEX. SOCKET HEAD BOLT M5X20		1				
065	858U14-7	JV001G NAME PLATE		1				
A02	413J99-0	COVER PLATE		1				
A03	415524-7	ANTI-SPLINTERING DEVICE		1				
A04	783202-0	HEX. WRENCH 4		1				
A05	A-85737	JIGSAW BLADE NO.B22		1				
A06	A-85628	JIGSAW BLADE NO.B10		1				
A07	A-85793	JIGSAW BLADE NO.BR13		1				
F01	194416-0	SHEET 10000 SET		1				
F02	194417-8	RUBBER SHEET 10000 SET		1				
F03	194418-6	POSITION SHEET 1400 SET		1				
F04	194910-2	POSITION SHEET 1900 SET		1				
F07	194367-7	GUIDE RAIL 3000 SET		1				
F08	194368-5	GUIDE RAIL 1400 SET		1				
F09	194925-9	GUIDE RAIL 1900 SET		1				

F13	199140-0	GUIDE RAIL 1000 SET		1					
F14	199141-8	GUIDE RAIL 1500 SET		1					
F19	192557-6	ANTI-SPLITTING DEVICE		1					

Please state Parts No. when your order.

Print Date 12/07/2024