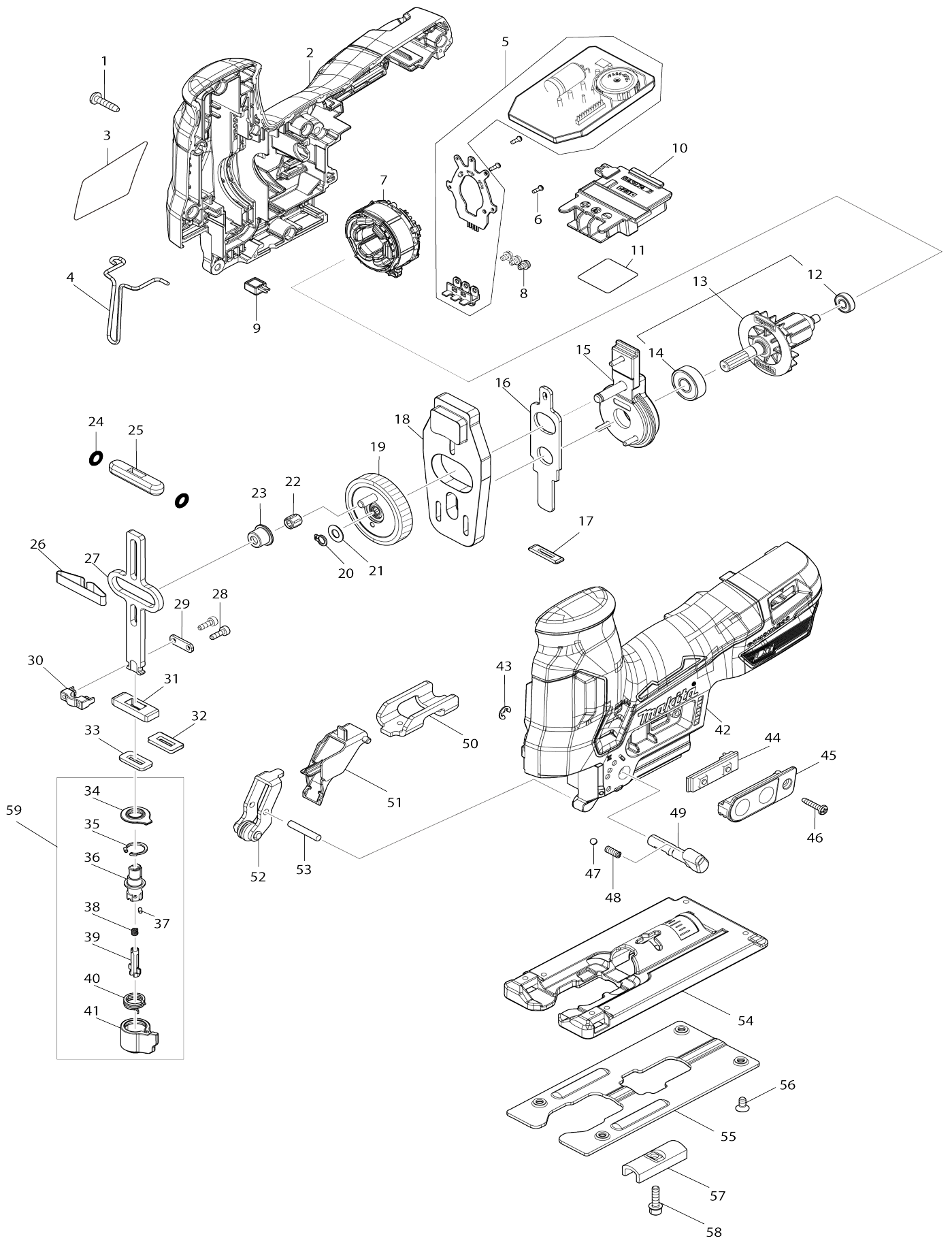


# Model No. DJV185 CORDLESS JIG SAW



Model No.DJV185 CORDLESS JIG SAW

Item No.	Parts No.	Description	Interchangability	Q'ty	New/Old	Sales Price (USD)	Purchase Price(USD)	Note1	Note2
001	266326-2	TAPPING SCREW 4X18		9					
002	183X94-5	HOUSING SET		1					
C10	263005-3	RUBBER PIN 6		2					
002		INC. 42							
003	8589C8-1	DJV185 NAME PLATE		1					
004	323748-0	SAFETY WIRE		1					
005	620L44-2	CONTROLLER		1					
006	266490-9	TAPPING SCREW PT 2X6		3					
007	629B14-8	STATOR		1					
008	652069-6	FLAT HEAD SCREW M3X6		3					
009	620712-5	LED CIRCUIT		1					
010	643874-2	TERMINAL		1					
011	8589D9-6	DJV185 SERIAL NO. LABEL		1					
012	210039-7	BALL BEARING 695DDW		1					
013	519824-8	ROTOR ASSEMBLY		1					
013		INC. 12,14							
014	210005-4	BALL BEARING 608DDW		1					
015	144820-3	BEARING CASE COMPLETE		1					
016	347249-4	PUSH PLATE		1					
017	416703-0	DUST SEAL		1					
018	310812-6	BALANCE PLATE		1					
019	141H68-6	GEAR COMPLETE		1					
020	961002-0	RETAINING RING S-6		1					
021	253715-0	FLAT WASHER 6		1					
022	212265-4	NEEDLE CAGE 508		1					
023	257872-6	SHOULDER SLEEVE 8		1					
024	213038-8	O RING 5		2					
025	313082-6	SLIDER GUIDE		1					
026	232183-0	LEAF SPRING		1					
027	347966-6	SLIDER		1					
028	266177-3	HEX. SOCKET HEAD BOLT M3X10		2					
029	347247-8	PLATE		1					
030	310811-8	BLADE CLAMP		1					
031	313086-8	SLIDER SUPPORT		1					
032	344686-3	SEAL PLATE		1					
033	423307-1	POLYURETHANE SPONGE SEAL		1					
034	424437-1	DUST COVER		1					
035	962063-3	RETAINING RING R-13		1					
036	310810-0	BLADE GUIDE		1					
037	256528-8	PIN 2		1					
038	233314-4	COMPRESSION SPRING 4		1					
039	310485-5	LOCK PIN		1					
040	233591-8	TORSION SPRING 10		1					
041	452850-3	INSERT HOLDER		1					
042	183X94-5	HOUSING SET		1					
C10	263005-3	RUBBER PIN 6		2					
042		INC. 2							

043	961011-9	STOP RING E-4		1				
044	620L34-5	SWITCH UNIT		1				
045	144628-5	SWITCH PLATE COMPLETE		1				
046	266130-9	TAPPING SCREW BIND PT 3X16		1				
047	216008-6	STEEL BALL 4		1				
048	233151-6	COMPRESSION SPRING 4		1				
049	271441-9	LEVER 19		1	*			
049-1	271486-7	LEVER 19	<	1				
050	347251-7	HOLDER		1				
051	457866-3	RETAINER GUIDE		1				
052	144629-3	RETAINER COMPLETE		1				
053	256206-0	PIN 4		1				
054	312C90-2	BASE		1				
055	345441-6	BASE PLATE		1				
056	912107-9	COUNTERSUNK HEAD SCREW M4 X8		4				
057	344685-5	CLAMP PLATE		1				
058	922128-3	HEX. SOCKET HEAD BOLT M4X16		1				
059	135941-2	BLADE GUIDE ASS'Y		1				
059		INC. 34-41						
A01	783201-2	HEX. WRENCH 3		1				
A02	413F05-1	DUST NOZZLE		1				
A03	457867-1	COVER PLATE		1				
A04	458191-5	DUST COVER		1				
A05	A-85737	JIGSAW BLADE NO.B22		1				
A06	A-85628	JIGSAW BLADE NO.B10		1				
A07	A-85793	JIGSAW BLADE NO.BR13		1				
A08	821551-8	CONNECTOR PLASTIC CASE (TYP E3)		1				
C10	453974-8	LATCH		4				
A09	8357K1-6	INNER TRAY		1				
A10	***DC18RC	DC18RC FAST CHARGER		1				
A10		COMPO-PARTS						
A11	450128-8	BATTERY COVER		1				
A12	197600-6	BATTERY BL1830B SET		2				
F02	194416-0	SHEET 10000 SET		1				
F03	192557-6	ANTI-SPLITTING DEVICE		1				
F05	194367-7	GUIDE RAIL 3000 SET		1				
F06	194368-5	GUIDE RAIL 1400 SET		1				
F07	194925-9	GUIDE RAIL 1900 SET		1				
F08	198704-7	GUIDE RAIL ADAPTER SET		1				
F09	199140-0	GUIDE RAIL 1000 SET		1				
F10	199141-8	GUIDE RAIL 1500 SET		1				
F14	194417-8	RUBBER SHEET 10000 SET		1				
F15	194418-6	POSITION SHEET 1400 SET		1				
F16	194910-2	POSITION SHEET 1900 SET		1				

Please state Parts No. when your order.

Print Date 12/07/2024