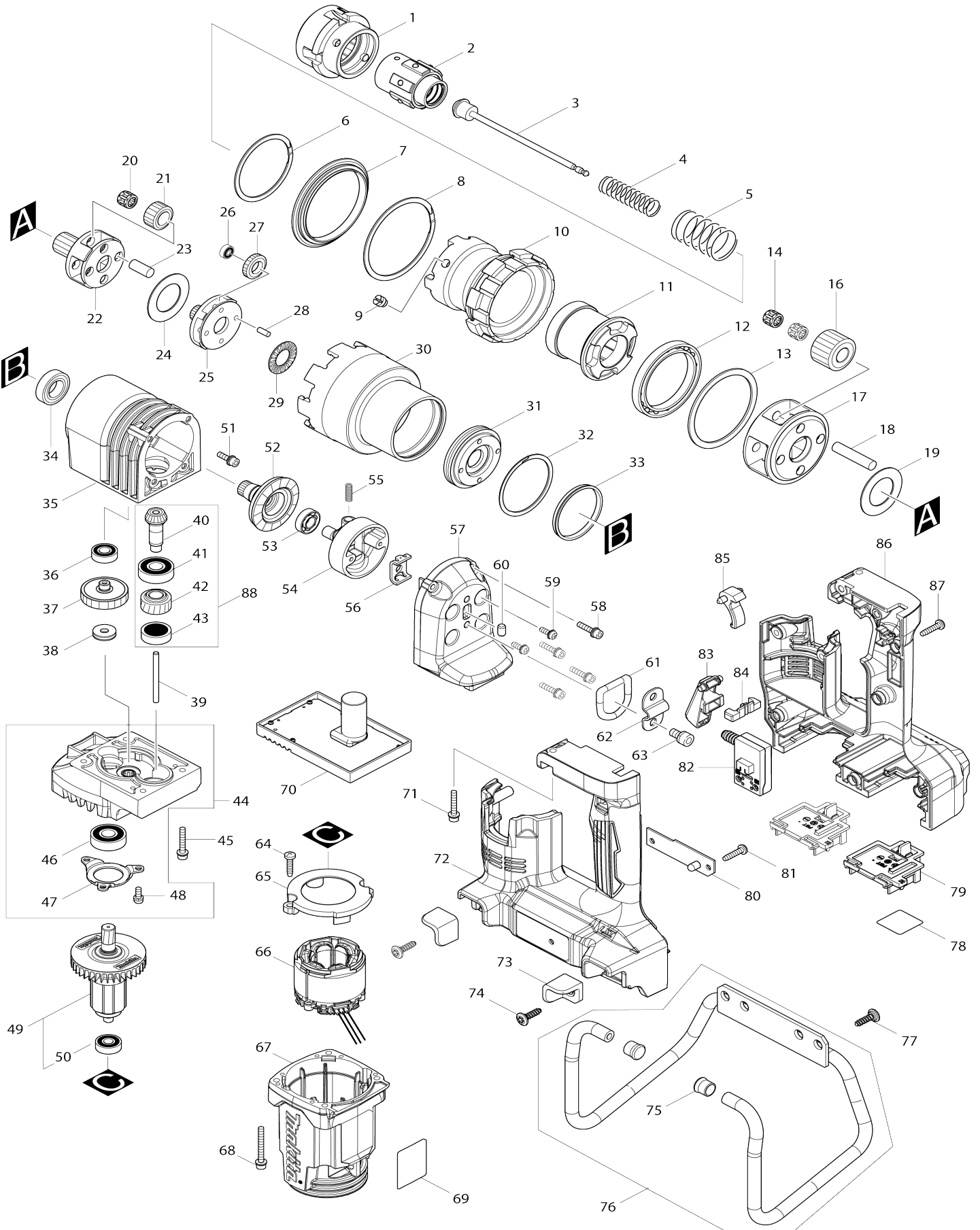


Model No.DWT310 CORDLESS SHEAR WRENCH



047	344470-6	BEARING RETAINER		1				
048	911111-5	PAN HEAD SCREW M4X10 WITH W		3				
049	519497-7	ROTOR ASSY		1				
049		INC. 50						
050	211023-5	BALL BEARING 607LB		1				
051	922123-3	HEX. SOCKET HEAD BOLT M4X14		4				
052	226812-5	GEAR 14-41		1				
053	211082-9	BALL BEARING 699		1				
054	311930-3	ROD SUPPORTER		1				
055	233098-4	COMPRESSION SPRING 4		1				
056	344062-1	STOPPER PLATE		1				
057	319669-2	REAR COVER		1	*			
057-1	319834-3	REAR COVER	O	1	*			
057-2	312B27-3	REAR COVER	<	1				
058	922133-0	H.S.H.BOLT M4X18 WITH WR		4				
059	911118-1	PAN HEAD SCREW M4X12		2				
060	263005-3	RUBBER PIN 6		1				
061	282018-5	D-RING		1				
062	345517-9	PLATE		1				
063	266157-9	HEX. SOCKET HEAD BOLT M6X12		2				
064	265995-6	TAPPING SCREW 4X18		2				
065	458306-4	BAFFLE PLATE		1				
066	629337-2	STATOR		1	*			
066-1	629C12-8	STATOR	S	1				
067	458302-2	MOTOR HOUSING		1				
068	922909-5	HEX. SOCKET HEAD BOLT M4X35		4				
069	854C60-0	DWT310 NAME PLATE		1				
070	632L40-8	CONTROLLER UNIT		1	*			
070-1	632N37-9	CONTROLLER UNIT	<	1				
071	922149-5	H.S.H.BOLT M4X25 WITH WG		2				
072	183J09-8	HANDLE SET		1	*			
C10	263005-3	RUBBER PIN 6		4	*			
C20	816P35-5	INDICATION LABEL		1	*			
C30	422226-8	SPONGE SHEET		1	*			
C40	416285-2	ACRYLIC PIN 5		1	*			
072		INC. 86			*			
072-1	183K85-8	HANDLE SET	<	1				
C10	263005-3	RUBBER PIN 6		4				
C20	816P35-5	INDICATION LABEL		1				
C30	422226-8	SPONGE SHEET		1				
C40	416285-2	ACRYLIC PIN 5		1				
072-1		INC. 86						
073	327048-0	PROTECTION BLOCK		2	*			
073-1	347482-8	PROTECTION BLOCK	O	2				
074	251587-7	H.L.TAPPING SCREW 5X18		2				
075	422230-7	CAP		2				
076	135919-5	GUARD PIPE ASS'Y		1	*			
076		INC. 75			*			
076-1	135992-5	GUARD ASSY	<	1				
076-1		INC. 75						
077	251587-7	H.L.TAPPING SCREW 5X18		4				

078	854C68-4	DWT310 SERIAL NO. LABEL		1				
079	644809-6	TERMINAL		2				
080	620809-0	LED CIRCUIT		1				
081	265995-6	TAPPING SCREW 4X18		2				
082	651083-9	SWITCH C3XA-1PSPM		1				
083	458303-0	SWITCH LEVER		1				
084	458307-2	TRIGGER LOCK		1	*			
084-1	459707-9	TRIGGER LOCK	O	1				
085	311928-0	CHIP LEVER		1				
086	183J09-8	HANDLE SET		1	*			
C10	263005-3	RUBBER PIN 6		4	*			
C20	816P35-5	INDICATION LABEL		1	*			
C30	422226-8	SPONGE SHEET		1	*			
C40	416285-2	ACRYLIC PIN 5		1	*			
086		INC. 72			*			
086-1	183K85-8	HANDLE SET	<	1				
C10	263005-3	RUBBER PIN 6		4				
C20	816P35-5	INDICATION LABEL		1				
C30	422226-8	SPONGE SHEET		1				
C40	416285-2	ACRYLIC PIN 5		1				
086-1		INC. 72						
087	265995-6	TAPPING SCREW 4X18		7				
088	134790-4	GEAR ASS'Y		1				
088		INC. 40-43						
089	620K96-7	CONTROLLER B	S	1				
090	638A32-9	LEAD UNIT	S	1				
091	652119-7	PAN HEAD SCREW M2X6	S	6				
A01	764361-9	OUTER SLEEVE 20-37		1				
A02	764417-8	INNER SLEEVE 20-38 COMPLETE		1				
A03	783001-0	(-) SCREWDRIVER 6		1				
A04	821748-9	PLASTIC CASE		1				
C10	162271-8	LATCH		2				
A05	***DC18RD	DC18RD TWO PORT FAST CHARGER		1				
A05		COMPO-PARTS						
A06	197280-8	BATTERY BL1850B SET		2	*			
A06-1	199282-0	BATTERY BL1850B SET	<	2	*			
A06-2	199282-0	BATTERY BL1850B SET	<	2				
A08	161347-8	SHOULDER BELT		1				

Please state Parts No. when your order.

Print Date 12/04/2024