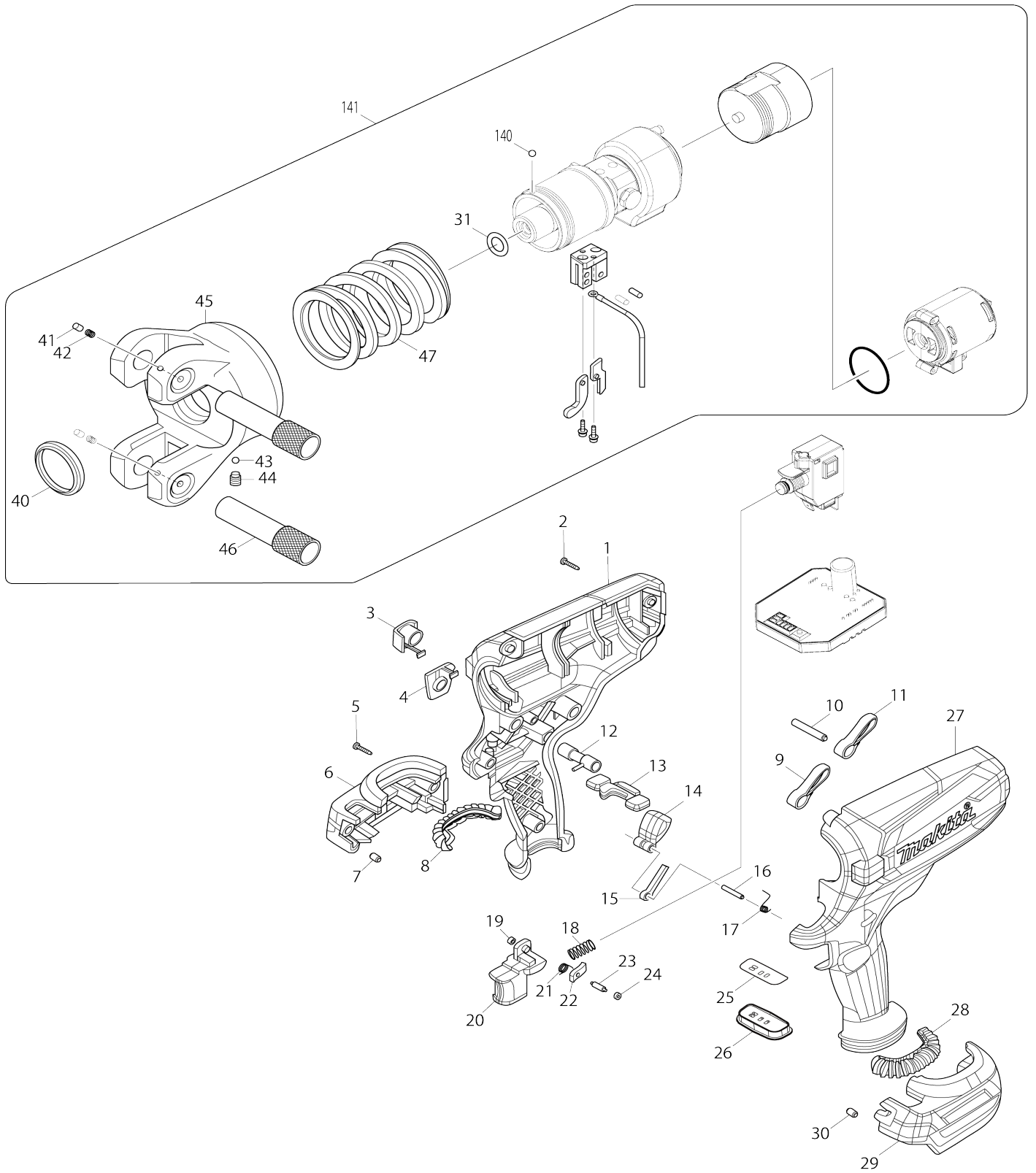
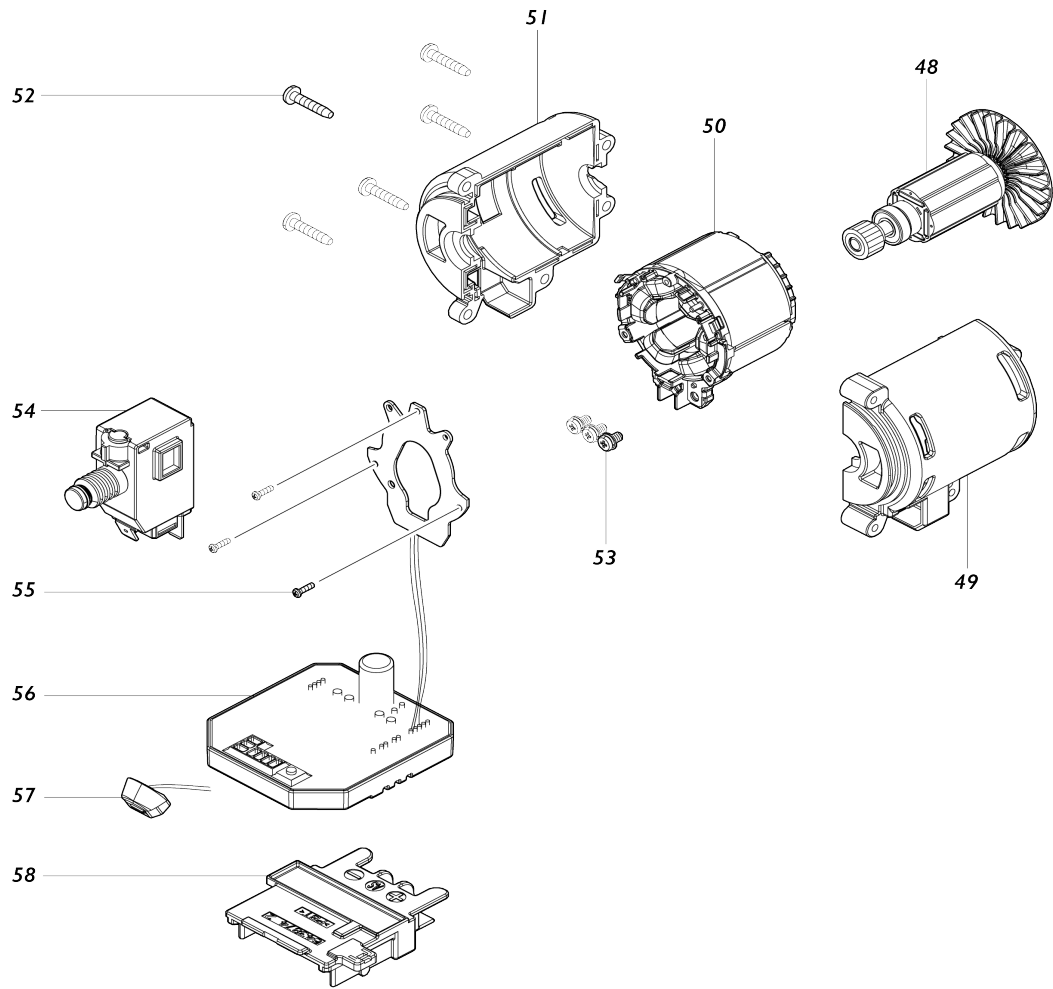


Model No.DTC300 CORDLESS CRIMPER



Model No.DTC300 CORDLESS CRIMPER



Model No.DTC300 CORDLESS CRIMPER

Item No.	Parts No.	Description	Interchangability	Q'ty	New/Old	Sales Price (USD)	Purchase Price(USD)	Note1	Note2
001	183M79-5	HOUSING SET		1					
001		INC. 27							
002	ZM00000028	TAPPING SCREW 4X16		6					
003	ZM00000008	ADJUSTMENT CAP		1					
004	ZM00000001	RELEASE CHANGE CAP		1					
005	ZM00000028	TAPPING SCREW 4X16		2					
006	183M77-9	BATTERY HOUSING SET		1					
006		INC. 7,29,30							
007	263005-3	RUBBER PIN 6		1					
008	424773-5	CUSHION RUBBER		1	*				
008-1	422A56-3	CUSHION RUBBER	<	1					
009	ZM00000015	STRAP RING		1					
010	ZM00000014	PIN 4X20		1					
011	ZM00000015	STRAP RING		1					
012	ZM00000013	CHANGE PIN		1					
013	ZM00000018	TRIGGER LOCK LEVER		1					
014	ZM00000009	LOCK RELEASE LEVER		1					
015	ZM00000010	SUPPORTER		1					
016	ZM00000012	PIN 3X22		1					
017	ZM00000011	TORSION SPRING (719)		1					
018	ZM00000005	COMPRESSION SPRING (565)		1					
019	ZM00000007	STOP RING E3		1					
020	ZM00000002	TRIGGER		1					
021	ZM00000006	TORSION SPRING (720)		1					
022	ZM00000003	RATCHET		1					
023	ZM00000004	PIN (280)		1					
024	ZM00000007	STOP RING E3		1					
025	ZM00000184	SWITCH LABEL		1					
026	ZM00000016	SWITCH PLATE		1					
027	183M79-5	HOUSING SET		1					
027		INC. 1							
028	424773-5	CUSHION RUBBER		1	*				
028-1	422A56-3	CUSHION RUBBER	<	1					
029	183M77-9	BATTERY HOUSING SET		1					
029		INC. 6,7,30							
030	263005-3	RUBBER PIN 6		1					
031	ZM00000103	O-RING P10		1					
039	ZM00000043	GEAR ASSY		1					
039		INC. 139							
040	ZM00000036	SCRAPER		1					
041	ZM00000032	STOPPER PIN		2					
042	ZM00000031	COMPRESSION SPRING (140)		2					
043	ZM00000034	STEEL BALL 1/8		1					
044	ZM00000035	HEX. SOCKET SET BOLT M5X6		1					
045	ZM00000030	CYLINDER HEAD		1					
046	ZM00000033	SLIDE PIN		2					
047	ZM00000029	COMPRESSION SPRING (700)		1					

048	619585-1	ROTOR		1				
049	183M78-7	MOTOR CASE SET		1				
049		INC. 51						
050	629442-5	STATOR		1				
051	183M78-7	MOTOR CASE SET		1				
051		INC. 49						
052	266429-2	TAPPING SCREW 3X16		5				
053	652069-6	FLAT HEAD SCREW M3X6		3				
054	651397-6	SWITCH C3JW-6CM-PN		1				
055	266490-9	TAPPING SCREW PT 2X6		3				
056	620B78-5	CONTROLLER		1				
057	620521-2	LED CIRCUIT		1				
058	643874-2	TERMINAL		1				
139	ZM00000104	O-RING S36		1				
140	ZM00000034	STEEL BALL 1/8		1				
141	ZM00000126	OIL UNIT ASSY		1				
141		INC. 1,27,31,40-47,140			*			
141		INC. 1,27,31,39-47,140						
F01	A-69521	CU DIE 8-14		1				
F02	A-69537	CU DIE 22-38		1				
F03	A-69543	CU DIE 45-70		1				
F04	A-69559	CU DIE 75-100		1				
F05	A-69565	CU DIE 110-125		1				
F06	A-69571	CU DIE 150		1				
F07	A-69587	CU DIE 180-200		1				
F08	A-69406	T DIE 11		1				
F09	A-69412	T DIE 16		1				
F10	A-69428	T DIE 20		1				
F11	A-69434	T DIE 26		1				
F12	A-69440	T DIE 44		1				
F13	A-69456	T DIE 60		1				
F14	A-69462	T DIE 76		1				
F15	A-69478	T DIE 98		1				
F16	A-69484	T DIE 122		1				
F17	A-69490	T DIE 154		1				
F18	A-69509	T DIE 190		1				
F19	A-69515	T DIE 240		1				
F20	A-69397	YOKE FOR COMPRESSION DIE		1				
F21	A-69593	CABLE CUTTER		1				
F22	161347-8	SHOULDER BELT		1				
F23	A-69381	CRIMP DIE		1				
F24	A-69250	PUSHED DIE 14		1				
F25	A-69266	PUSHED DIE 22		1				
F26	A-69272	PUSHED DIE 38-70		1				
F27	A-69288	PUSHED DIE 80-150		1				
F28	A-69294	PUSHED DIE 200		1				
F29	A-69303	PUSHED DIE 250		1				
F30	A-69375	CRIMP YOKE 14-150		1				
F31	A-69319	RECIEVED DIE 14-38		1				
F32	A-69325	RECIEVED DIE 60-70		1				
F33	A-69331	RECIEVED DIE 80-100		1				
F34	A-69347	RECIEVED DIE 150		1				

F35	A-69353	RECIEVED DIE 200		1					
F36	A-69369	RECIEVED DIE 250		1					

Please state Parts No. when your order.

Print Date 12/04/2024