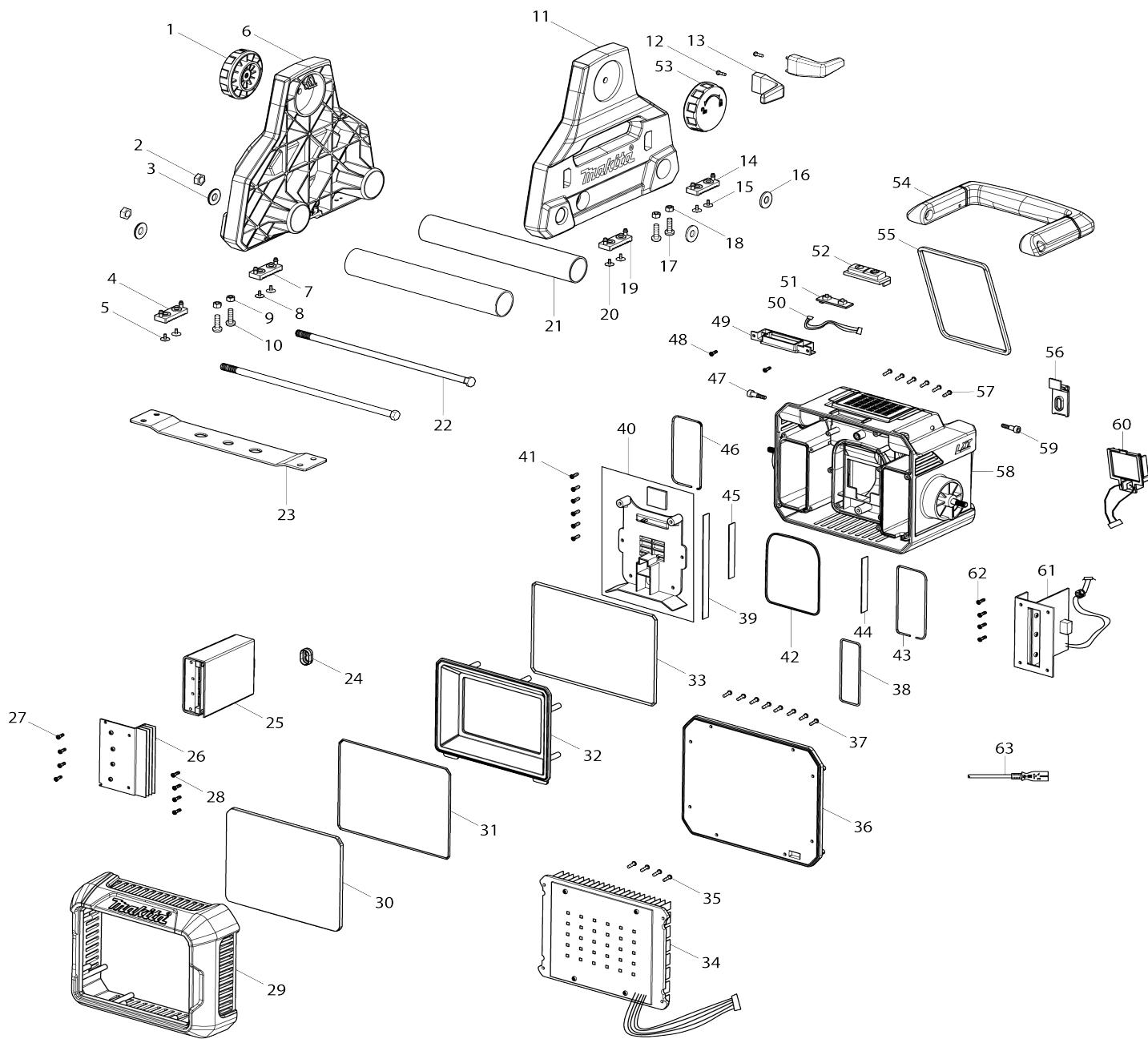


# Model No.DML811 CORDLESS WORKLIGHT



Model No.DML811 CORDLESS WORKLIGHT

ទំនាក់ ញ្ញាត	ផ្នែក/កម្រិត	កំរិតពណ៌នា	ភ័ក្តិ ចំណុច លំដាប់ ប្រភេទ	ចំនួន	ថ្លៃ/ម៉ូ តែរ	តម្លៃលើក (USD)	តម្លៃលើទំ ញ(USD)	ចំណាត់	ចំណាត់
001	GM00002160	LATCH KNOB ASSY		1					
002	GM00002158	NUT M8		2					
003	GM00002157	METAL OD20XID8,5X2MM		2					
004	GM00002154	RUBBER FOOT		1					
005	GM00002164	SCREW 3X6 PWB		2					
006	GM00002162	STAND LEFT ASSY		1					
007	GM00002154	RUBBER FOOT		1					
008	GM00002164	SCREW 3X6 PWB		2					
009	GM00002155	NUT M5		2					
010	GM00002156	SCREW 5X15 PM		2					
011	GM00002161	STAND RIGHT ASSY		1					
012	GM00002165	SCREW 3X18 PT		2					
013	GM00002159	AC POWER CORD HOOKS		2					
014	GM00002154	RUBBER FOOT		1					
015	GM00002164	SCREW 3X6 PWB		2					
016	GM00002157	METAL OD20XID8,5X2MM		2					
017	GM00002156	SCREW 5X15 PM		2					
018	GM00002155	NUT M5		2					
019	GM00002154	RUBBER FOOT		1					
020	GM00002164	SCREW 3X6 PWB		2					
021	GM00002153	STAND HOLDING TUBE		2					
022	GM00002152	METAL M8 BOLT		2					
023	GM00002151	BASE HOLDING PLATE		1					
024	GM00002150	AC SOCKET HOLDER O.RING		1					
025	GM00002148	EU AC POWER ASSY		1					
026	GM00002145	AC POWER HEAT SINK ASSY		1					
027	GM00002149	SCREW 3X14 PB NI		4					
028	GM00002165	SCREW 3X18 PT		4					
029	GM00002114	FRONT COVER ASSY		1					
030	GM00002115	LENS ASSY		1					
031	GM00002116	LENS O.RING		1					
032	GM00002117	REFLECTOR ASSY		1					
033	GM00002118	RUBBER HEAT SINK O-RING A		1					
034	GM00002119	LED PCBA ASSY		1					
035	GM00002165	SCREW 3X18 PT		4					
036	GM00002120	MID.BODY COVER		1					
037	GM00002165	SCREW 3X18 PT		8					
038	GM00002133	MID.BODY O.RING		1					
039	GM00002166	EVA.B		1					
040	GM00002130	TERMINAL HOLDING PLATE AS SY		1					
041	GM00002165	SCREW 3X18 PT		6					
042	GM00002131	TERMINAL HOLDING PLATE O.R ING		1					
043	GM00002132	MID.BODY O.RING		1					
044	GM00002134	EVA.B		1					
045	GM00002134	EVA.B		1					

046	GM00002132	MID-BODY O-RING		1				
047	GM00002137	INSIDE.HEX SCREW		1				
048	GM00002163	SCREW 3X14 PB NI		2	*			
048.1	GM00002149	SCREW 3X14 PB NI	O	2				
049	GM00002138	SWITCH HOLDER		1				
050	GM00002139	4P WAFER		1				
051	GM00002140	SWITCH PCBA ASSY		1				
052	GM00002141	SWITCH ASSY		1				
053	GM00002160	LATCH KNOB ASSY		1				
054	GM00002144	HANDLE ASSY		1				
055	GM00002143	LATCH O-RING		1				
056	GM00002142	AC SOCKET O-RING		1				
057	GM00002165	SCREW 3X18 PT		6				
058	GM00002136	MID.BODY ASSY		1				
059	GM00002137	INSIDE.HEX SCREW		1				
060	GM00002135	BATTERY HOLDER ASSY		1				
061	GM00002121	MAIN PCBA ASSY		1				
062	GM00002165	SCREW 3X18 PT		4				
063	GM00002242	THAI AC POWER CORD		1				

សូមបញ្ជាក់លេខផ្នែកនៅពេលបញ្ជាទិញ

បោះពុម្ពកាលបរិច្ឆេទ 12/20/2024